

INSTALLERS GUIDE



SKAMOTEC 225 Fireplace Building Board



For more information contact:
Toll free 1(844) 475 2665
www.skamotec225.com
skamotec225@skamol.com



SKAMOTEC 225 – The One Product Solution

SKAMOL introduces an innovative new method of building fireplace enclosures.

SKAMOTEC 225 a lightweight non-combustible building board that simplifies the construction process to one building material; eliminating the need for any type of frame construction.

SKAMOTEC Advantage

Fire protection: non-combustible

- UL Classified: ASTM E136
- UL Listed: CAN/ULC-S114

Reduces recurring cracks & costly call-backs

Excellent insulation values (based on 1 ½" thickness)

- R-value = 3.54
- K-value = .27

Maximum service temperature 1832 °F (1000 °C)

Extremely lightweight

- 50% lighter than other non-combustible board
- Easy to handle and carry

Quick and easy to install

- Use common woodworking tools and fasteners

Saving time and labour costs

- Simplifies the construction process, to one material

Non-toxic & 0% VOC

Standard Sizes

Thickness	Width x Length	Weight
• 1 1/2"	48" x 80.31"	46.29 lb.

Hardware Required

Fasteners

#8 or #10 x 2 ½" construction screws

- **Skamotec 225 to Skamotec 225**

#8 or #10 x 2 ½" construction screws

- **Skamotec 225 to studs, ceiling, drywall & flooring**

Note: Use a fastener spacing of 6" – 8" with an minimum edge distance of 3/4" - 1"

Mortar (High temperature areas)

Recommended mortar:

- Use Quikrete - High Heat Fireplace Mortar
- Prepare the surface by moisten the surface with water

Note: For use when attaching

Skamotec 225 to Skamotec 225 only

Adhesive (Low temperature areas only)

Recommended construction adhesives:

- (US) Loctite - PL® Premium® 3X
- (Canada) LePage - PL® Premium® 3X
- Prepare the surface by moisten the surface with water

Note: For use when attaching

Skamotec 225 to drywall

Skamotec 225 to flooring

Skamotec 225 to Skamotec225



Typical Construction Method

Support blocking (Existing Wall Attachment)
1 1/2" x 1 1/2"

Joint plate (Vertical Panels)
4" wide (minimum)

Support blocking (Corner Joint)
1 1/2" x 1 1/2"

All the material you required to build your fireplace enclosure is constructed using **SKAMOTEC 225**

Key Installation Points

- All corner & panel joints **must have** support blocking (1 1/2" x 1 1/2") or joint plate (4" wide minimum)
- All corner & panel joints **shall be attached using** mortar cement or construction adhesive, and 2 1/2" screws
- When applying any adhesive, mortar cement, drywall compound, paint, skim-coat or a scratch coat all joining surfaces **must be moistened with water** beforehand. This will prevent these products from drying out too quickly & adhering incorrectly
- Always maintain a **minimum of 1/8" clearance** from all fireplace surfaces; this is to allow for expansion of the fireplace and to prevent cracking.
- Do **not** fasten any part of Skamotec 225 to the fireplace unit; this is to allow for expansion.

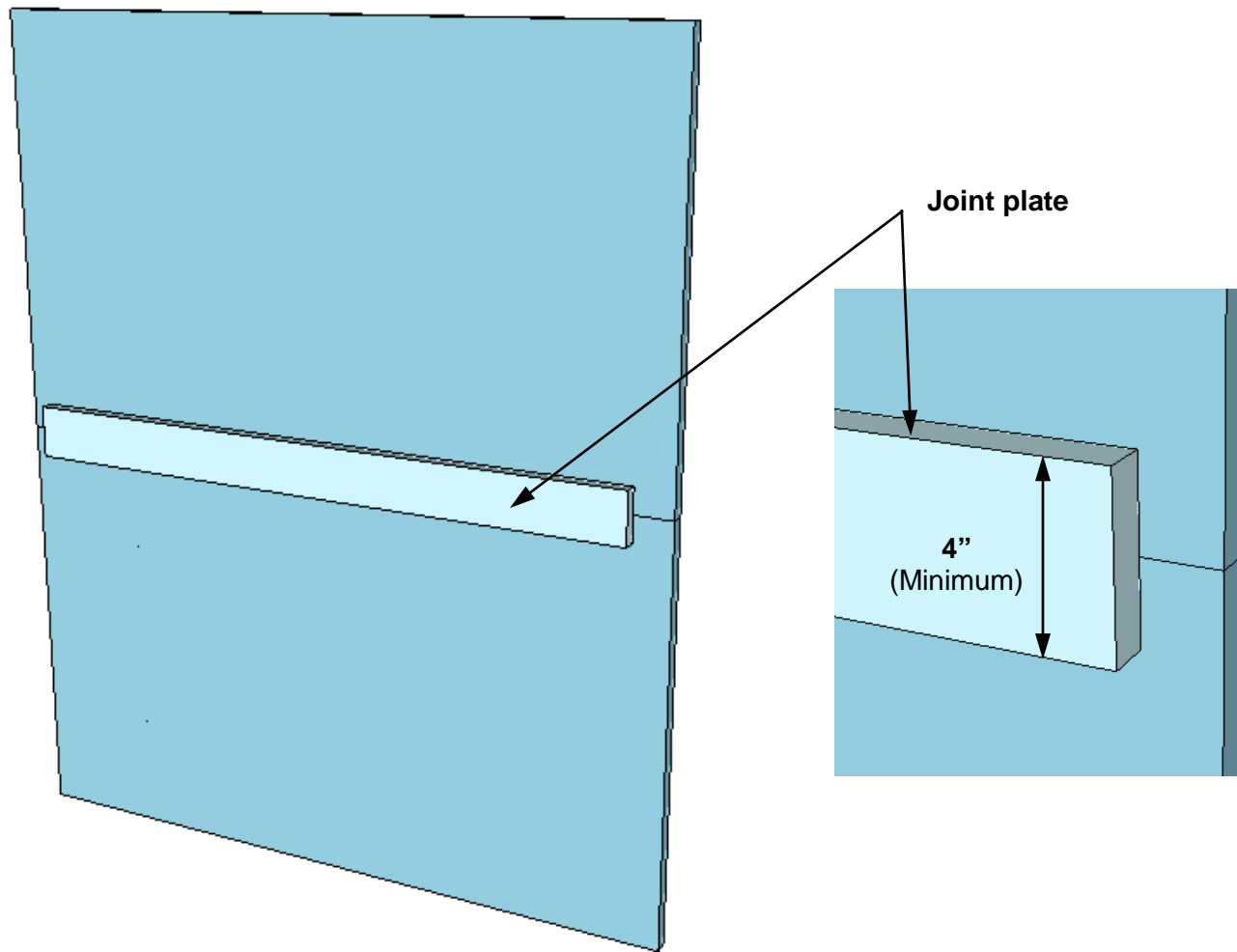
Support blocking (Floor & Ceiling Attachment)
1 1/2" x 1 1/2"

Display showing typical building method

Note:

Skamotec 225 building board is intended for interior, non-load bearing wall applications in residential buildings.

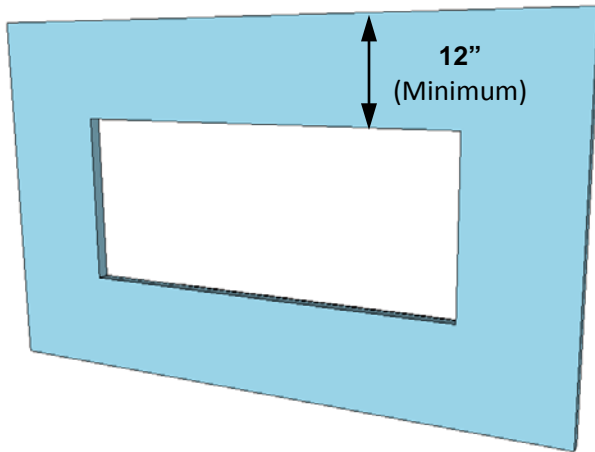
Method for Joining Two Vertical Panels



Important

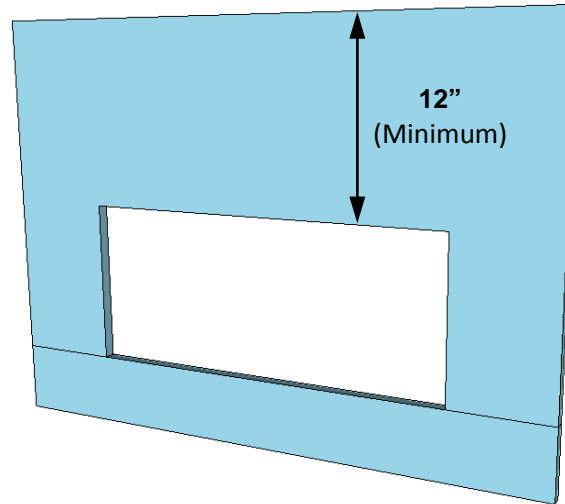
- When connecting two (2) vertical panels, all joints must be supported with an additional joint plate on the backside 4" (minimum width)
- All surface joints must be fastened using 2 1/2" screws & adhesive or mortar cement
- Moisten all surfaces before applying adhesive or mortar cement
- Use a fastener spacing of 6 – 8" with a minimum edge distance of 3/4" - 1"

Finishing Around the Fireplace Opening



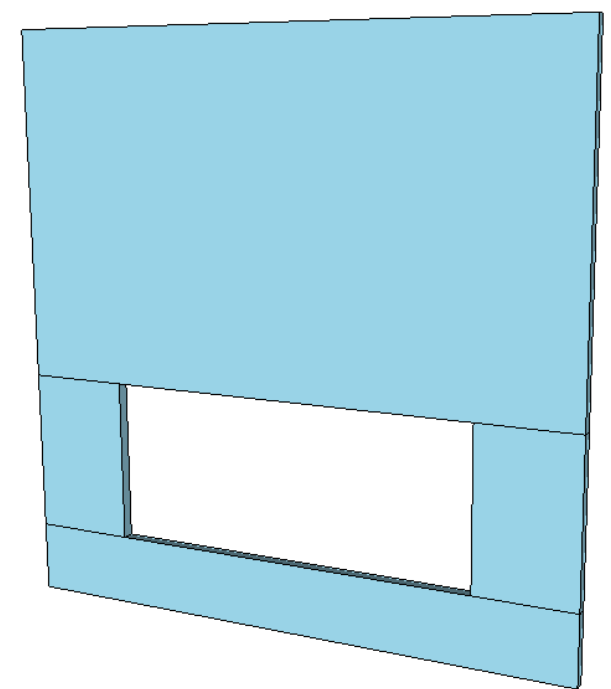
Option #1

Surround the fireplace opening using a single piece of SKAMOTEC
Position cut-out opening in center of panel



Option #2

Surround the fireplace opening using two (2) individual pieces of SKAMOTEC
As shown



Option #3

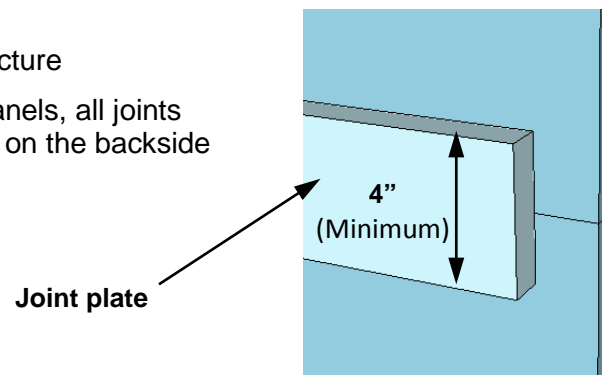
Surround the fireplace opening using four (4) individual pieces of SKAMOTEC
As shown

Important

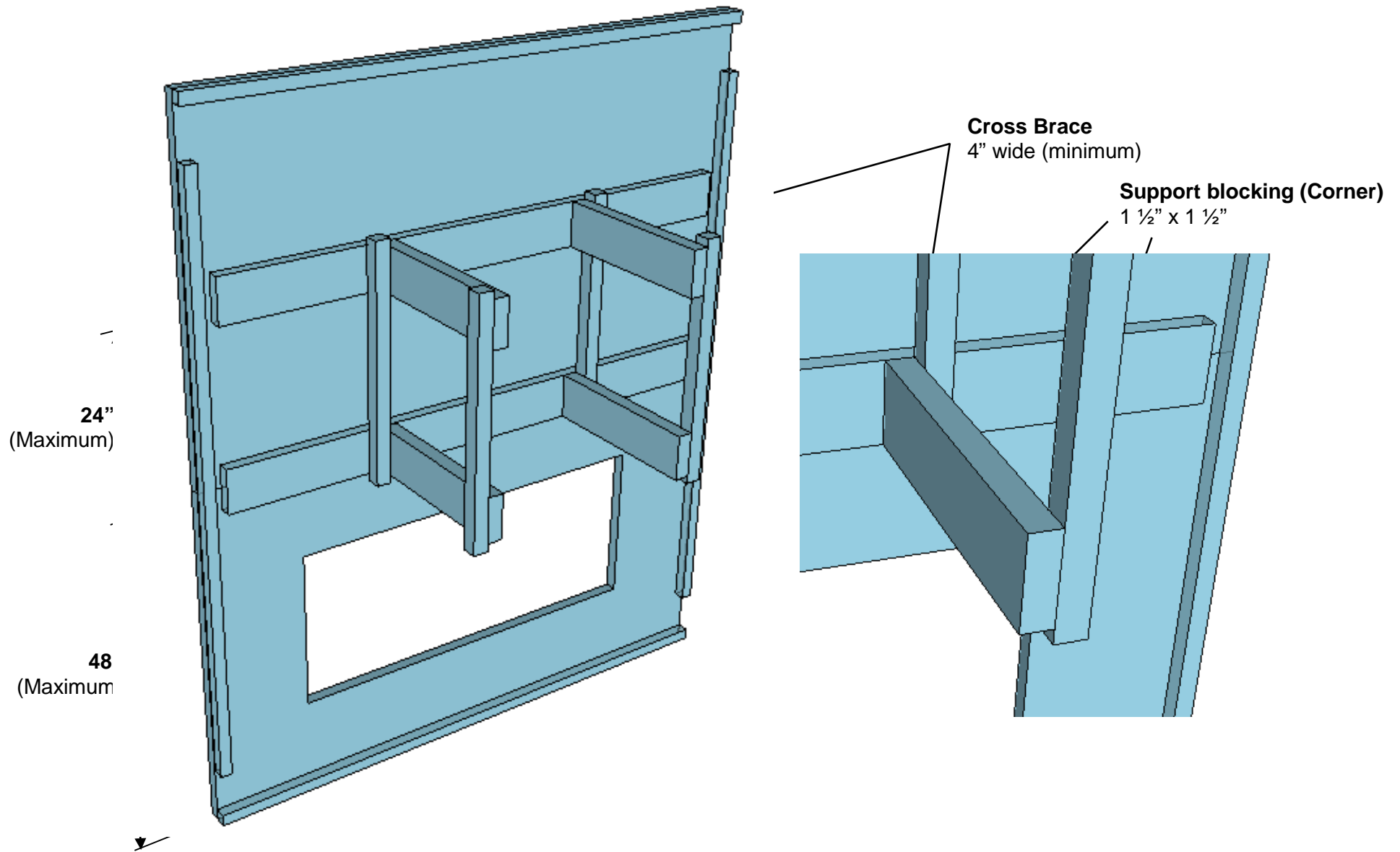
Maintain a minimum of 1/8" clearance around the fireplace frame, to allow for expansion.

Do not fasten SKAMOTEC to the fireplace structure

Remember when connecting two (2) vertical panels, all joints must be supported with an additional joint plate on the backside



Wall Support for Stone Wall Application



Finishing - Applications

Preparing the Surface for Paint

- Prepare the surface by thoroughly moistening the surface with water; apply using a sponge
- Now, applying **Joint Drywall Taping Compound** to the desired areas, includes all joints
- Then apply your joint tape
 - paper tape - low temperature areas
 - mesh tape – high temperature
- Now, re-**Joint Drywall Taping Compound** over the joint tape
- To apply corners beads, apply more joint drywall compound to the corners
- Then apply paper **Corner Beads**
- Then re-apply **Joint Drywall Taping Compound** as required

Note: Corners beads are not recommended around edge of fireplace opening due to High temperatures

Paint

- Using a ¼" (5mm) roller apply a **thin coat** of 100% acrylic latex primer
(This will help the paint to properly attach to the material)
- Sand in-between coats
- Then apply a second thin coat of 100% acrylic latex primer (building up your layers)
- Apply finish coat

Note: do not use a primer/sealer mix, as this is too thick & will not bond to Skamotec 225

Finishing - Materials

Tile

- Prepare the surface by thoroughly moistening the surface with water; apply using a sponge
- Now, apply a layer of thin-set to the area to be tiled
- Then, apply your nylon mesh joint tape
- Using a notch trowel apply a layer of thin-set with on the backside of the tile
- Now, install tile

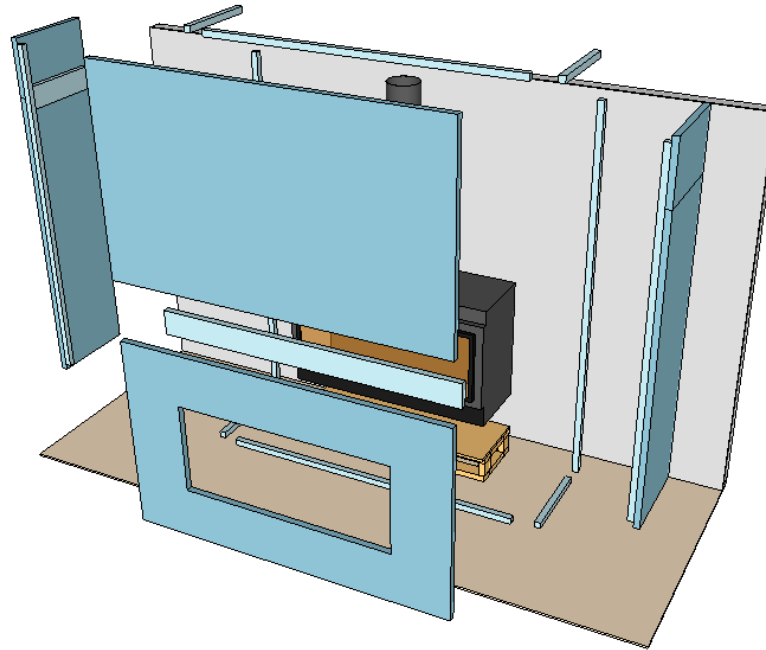
Stone/Brick Surface

- Skamotec advantage is that no tar paper or metal lath is required
- Prepare the surface by thoroughly moistening the surface with water; apply using a sponge
- Now, apply a scratch coat, use thin-set to the area to be stoned

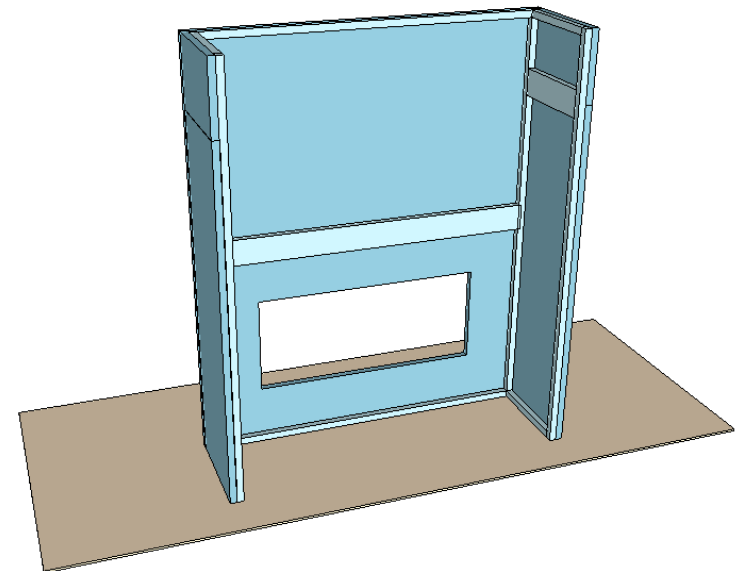
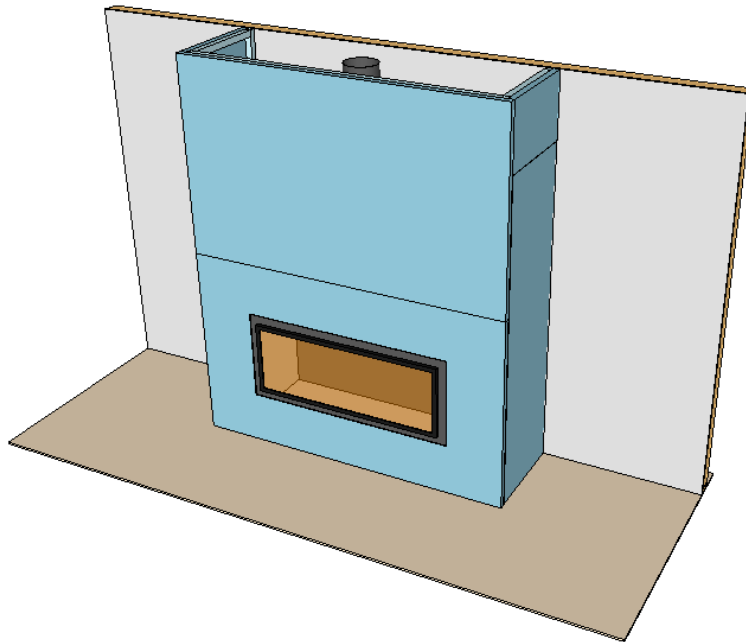
Tip; we recommend using thin-set rather than mason/mortar mix because it adheres better, and will not dry-out too quickly

- Then, apply your joint tape as required
- nylon mesh tape
- Then, apply a layer of thin-set to the backside of the stone
- Now, install your stone

The SKAMOTEC 225 Advantage
One building product, multiple design solutions

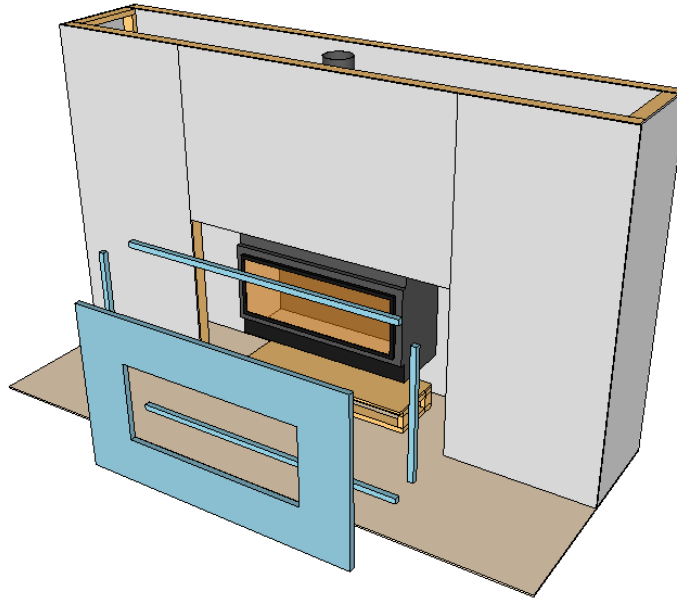


Complete SKAMOTEC Installation
SKAMOTEC 225 eliminates the need for any type frame construction



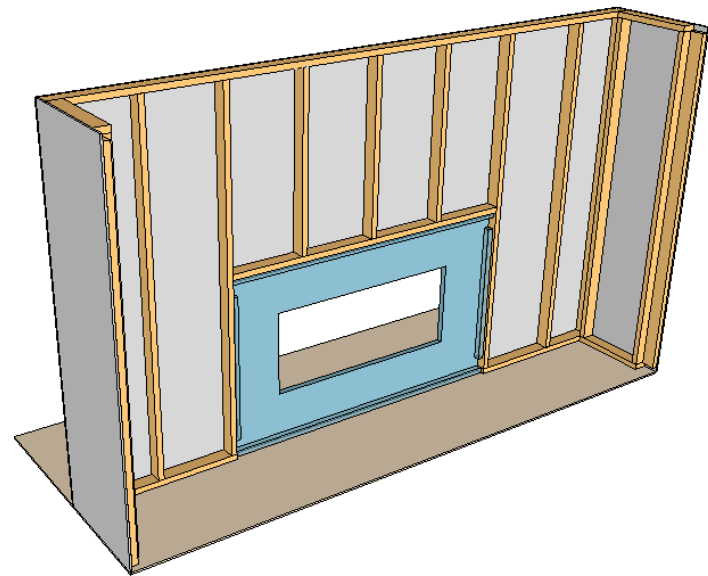
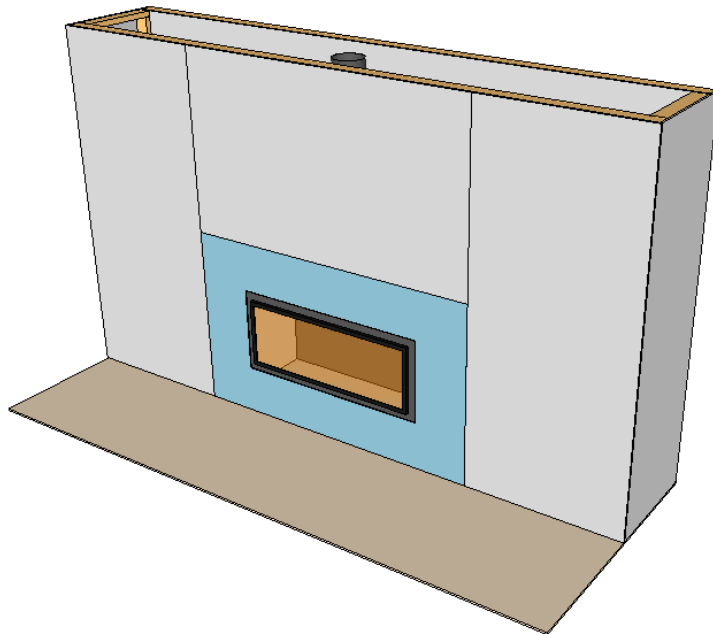
The SKAMOTEC 225 Advantage

One building product, multiple design solutions



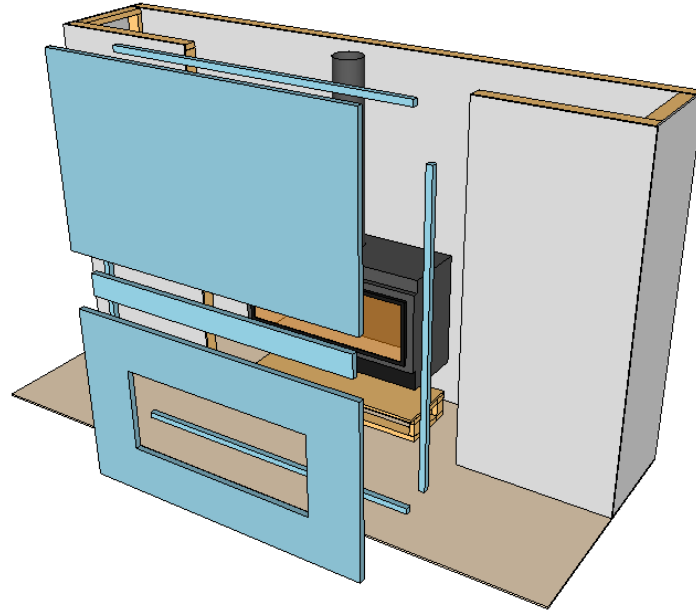
Front Face – Flat Wall Installation

SKAMOTEC 225 eliminates the need for any type frame construction



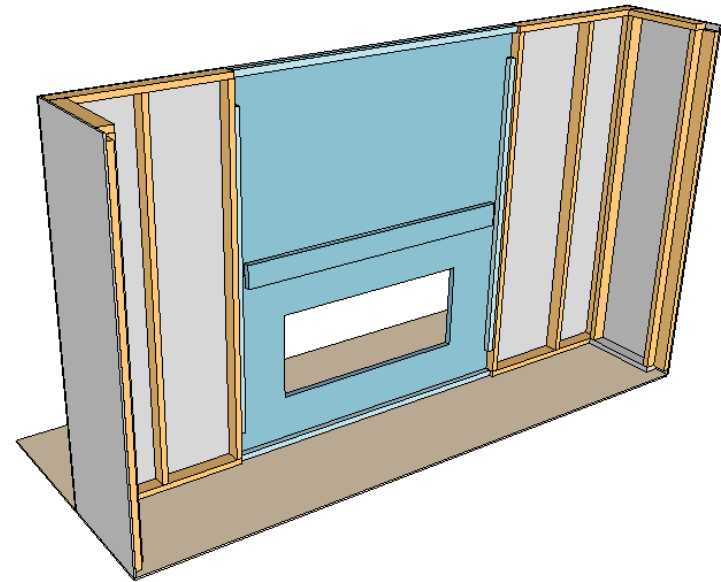
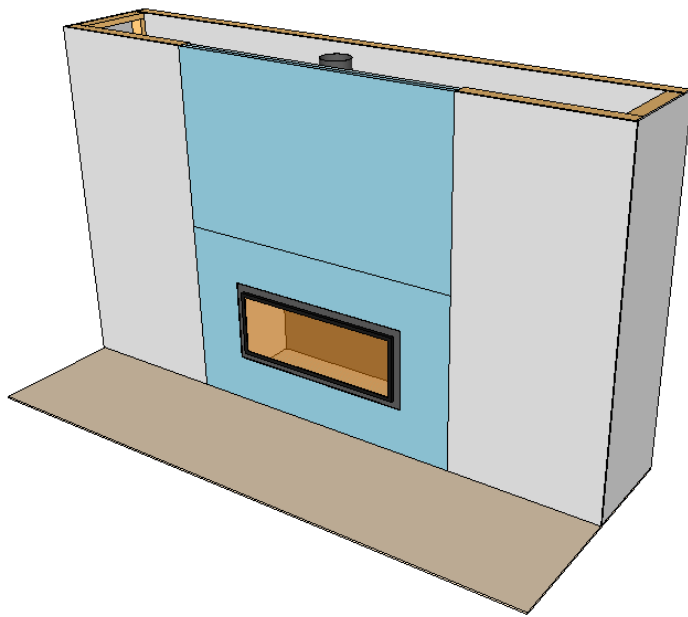
The SKAMOTEC 225 Advantage

One building product, multiple design solutions

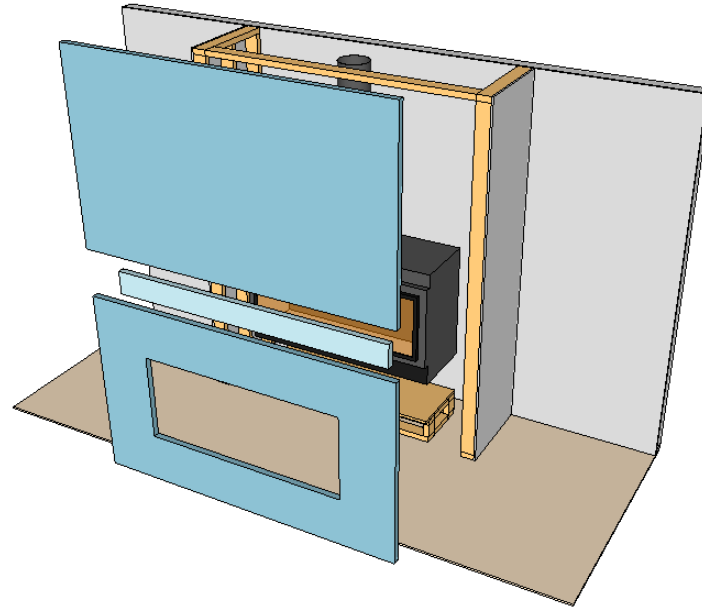


Front Face – Flat Wall Installation

SKAMOTEC 225 eliminates the need for any type frame construction



The SKAMOTEC 225 Advantage
One building product, multiple design solutions



Front Face – Box Wall Installation

All the material you require to build the Front Face is constructed using **SKAMOTEC 225**

